



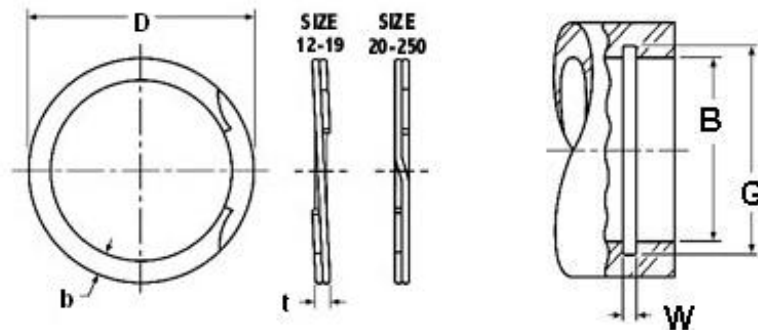
www.americanringmfg.com

## ZRH-028 Retaining Ring Spec Sheet



**Part Number: ZRH-028**

ZRH Series - Heavy Duty Spiral Retaining Ring



### Ring Specs

<b>(D) Free Diameter:</b>	30.10	+0.36 / -0.00	mm.
<b>(t) Thickness:</b>	1.27	+0.05 / -0.05	mm.
<b>(b) Radial Wall:</b>	2.62	0.08 / -0.13	mm.

### Groove Specs:

<b>(B) Application Diameter:</b>	27.99		mm.
<b>(G) Groove Diameter:</b>	29.87	+0.08 / -0.08	mm.
<b>(W) Groove Width:</b>	1.40	+0.10 / -0.00	mm.
<b>Groove Depth:</b>	0.94		mm.

### Other Specs

<b>Approximate Weight per 1000:</b>	0.000		kg.
<b>(N) Ring Number of Turns</b>	50.80		mm.
<b>(m) Material Thickness</b>	0.61		mm.

