



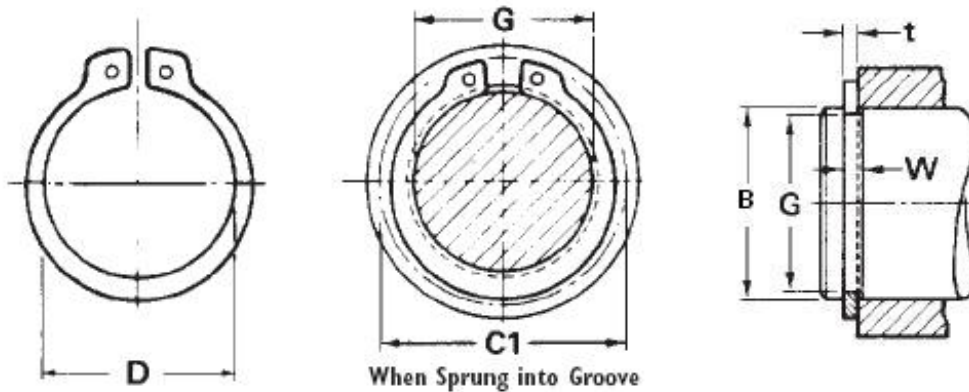
www.americanringmfg.com

MS3217-3106 Retaining Ring Spec Sheet



Part Number: MS3217-3106

MS3217 - External Heavy Duty Retaining Ring



Ring Specs

(D) Free Diameter:	0.978	+0.010 / -0.015	in.
(t) Thickness:	0.093	+0.003 / -0.003	in.
(b) Radial Wall:			

Groove Specs:

(B) Application Diameter:	1.062		in.
(G) Groove Diameter:	0.998	+0.002 / -0.004	in.
(W) Groove Width:	0.103	+0.005 / -0.000	in.
Groove Depth:	0.032		in.

Other Specs

Approximate Weight per 1000:	11.500		lbs.
(C1) Clearance Diameter When Sprung Into Groove	1.460		in.

